

COMFORT CIRCLE | DINING TABLE

Designed by Søren Ravn Christensen



DIMENSIONS

Ø: 120 cm / 47.2"
H: 74.7 cm / 29.4"



MATERIAL

Solid oak, MDF and steel



CONSTRUCTION

Top: Oak and MDF. Clear top coat wood finish.

Legs: Solid oak and steel. Legs attached with bolts.



WEIGHT

Box 1: 24 kg / 52.9 lb

Box 2: 10 kg / 22 lb



WEIGHT INCL. PACKAGING

Box 1: 33 kg / 72.8 lb

Box 2: 12.5 kg / 27.6 lb



PACKAGING DIMENSIONS (L x W x H)

Box 1: 128.5 x 128.5 x 9.5 cm / 50.6 x 50.6 x 3.7"

Box 2: 78.5 x 48.5 x 14 cm / 30.9 x 19.1 x 5.5"



ASSEMBLY TIME

20 min - video guide at umage.com



MEDIA KIT

Photos and press material

Download at umage.presscloud.com



ORDERING INFORMATION

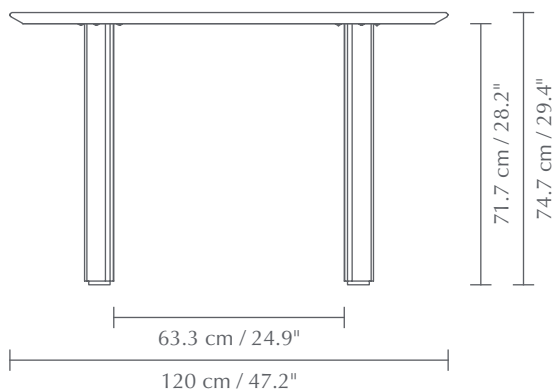
Rippled (legs) oak EU/UK/US/APAC #5656C5656-1

Rippled (legs) dark oak EU/UK/US/APAC #5856C5856-1

Rippled (legs) black oak EU/UK/US/APAC #5156C5156-1

Smooth (legs) oak EU/UK/US/APAC #5656C5657-5

Smooth (legs) dark oak EU/UK/US/APAC #5856C5856-2



Colour variations



oak



dark oak



black oak



COMFORT CIRCLE | DINING TABLE

Designed by Søren Ravn Christensen



GATHER AROUND THE TABLE FOR MEMORABLE MOMENTS

Introducing our first-ever dining table; Comfort Circle, with great attention to detail and strong craftsmanship in the drop-shaped legs with carve grooved details - a tactile detail for the senses. The Comfort Circle dining table has solid oak legs and table top in oak veneer. The round dining table offers a subtle lightness in the room making it perfect for smaller spaces and invites to the intimate conversation with everyone centred towards the middle. Available in oak, dark oak and black oak with a diameter of 120 cm, just perfect for 4 people. The table is versatile and can highlight private homes as well as public spaces. Equally suitable for intimate meetings and larger café environments.

Find more info on our website umage.com

