



CARE INSTRUCTIONS

Unplug power cord prior maintenance. To clean, use a soft cloth only.
Do not use any chemical or abrasive cleaners.

TECHNICAL INFORMATION

Light source: E14, recommended bulb 4 W LED 400 lumens. - Max LED 8W max
Turn power off when changing light bulb. Isolation class II. The lamp is not approved
for outdoor use or use in damp/wet rooms (IP20).

TROUBLESHOOTING

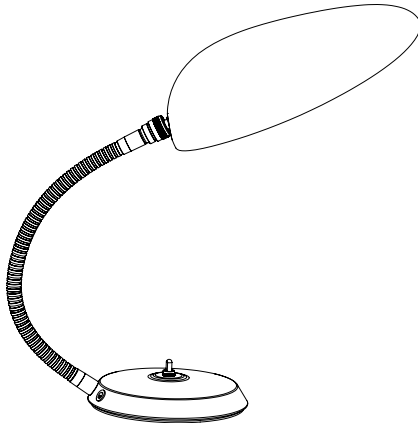
If lamp does not light, turn off the power. Check the bulb for a broken filament. Replace bulb if necessary, then turn it on. If the lamp still does not light, please contact customer service at the local dealer. If the external flexible cable or cord of this lamp is damaged, it must be replaced by a qualified electrician in order to avoid a hazard.



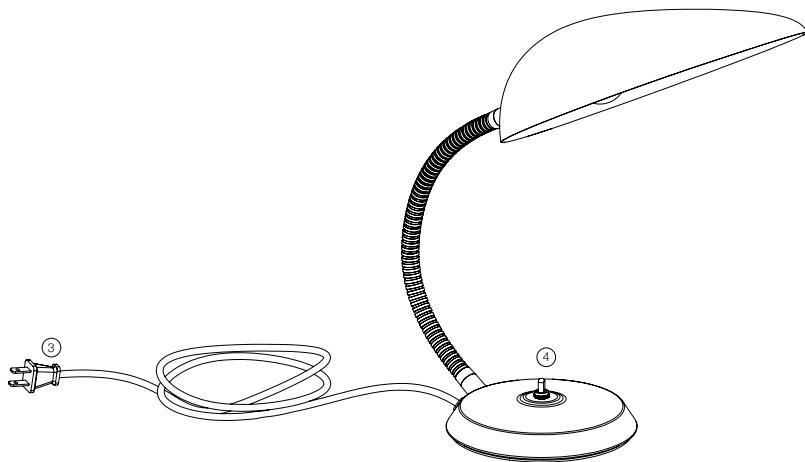
For enquiries contact GUBI A/S - CVR: 17940384
Klubiensvej 7-9. 2150 Nordhavn. Copenhagen, Denmark
T +45 69 15 60 60 – salesupport@gubi.dk
GUBI.COM

GUBI

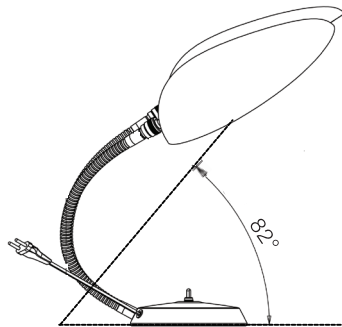
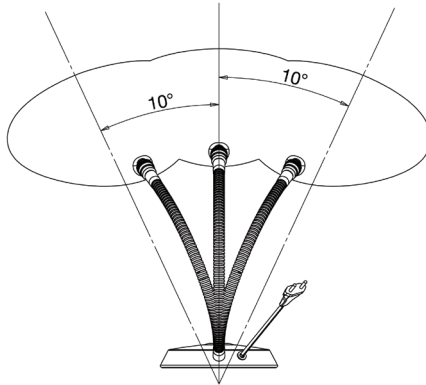
ASSEMBLY INSTRUCTIONS
for
COBRA TABLE LAMP



- 1.**
Unpack lamp.
- 2.**
Place on stable ground.
- 3.**
Plug lamp to main voltage.
- 4.**
Push switch to turn lamp on and off.



Arm from side to side Max. 10°



SAFETY INSTRUCTIONS PERTAINING TO RISK OF FIRE, ELECTRIC SHOCK, OR PERSONAL INJURY

WARNING: Lighted bulb gets HOT! Do not touch while on.

CAUTION: Keep lamp away from curtains, bedding linens, and any other flammable materials.

Do not look directly at lighted bulb.

Turn off / unplug and allow lamp to cool before replacing bulb, cleaning or other maintenance.

Do not use in the bathroom or damp places.

CAUTION: TO REDUCE THE RISK OF FIRE, USE MAX. 40 WATT INCANDESCENT, E12, type b bulb, 120V 60Hz AC ONLY.

Do not exceed recommended wattage.

CAUTION! IMPORTANT: LAMP MUST BE INSTALLED BY A QUALIFIED ELECTRICIAN!

PREPARATION: Shut the power off.