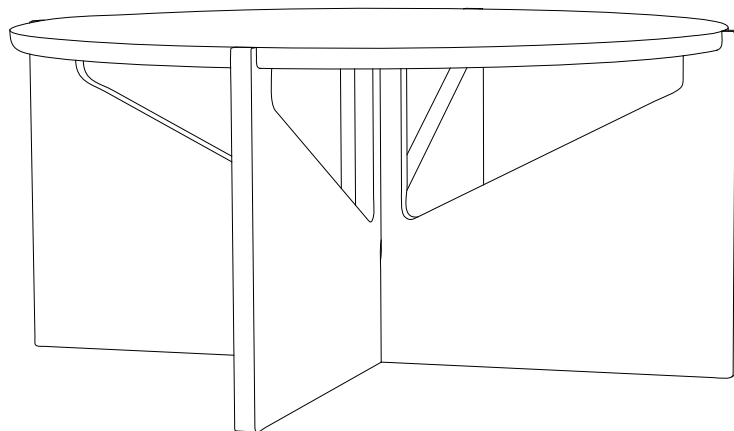


K

KRISTINA

DAM

–
Studio



XL TABLE

Solid Oak/Black Painted Hardwood
72 L x 72 W x 36 H cm

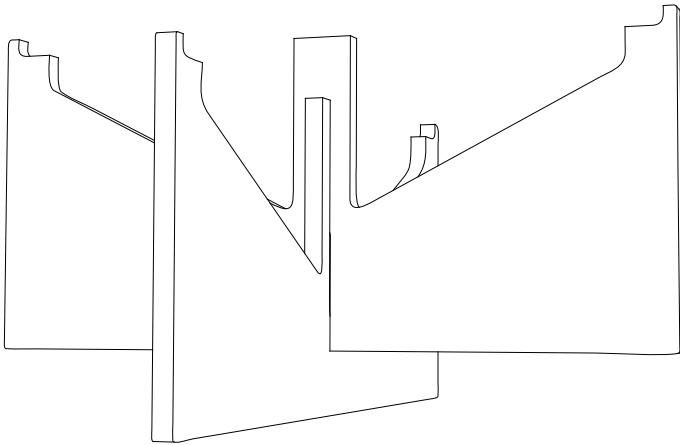
4 x Felt stickers



Rubber hammer (not included)



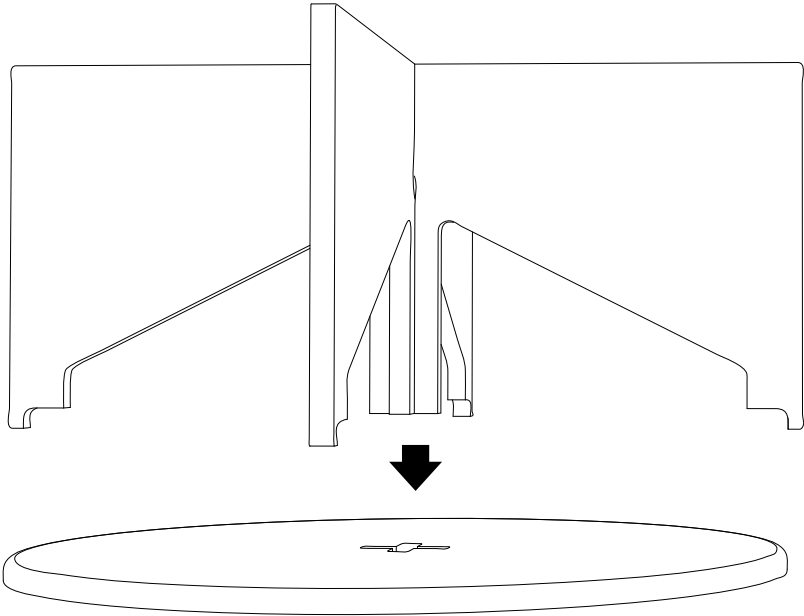
1.



Rubber hammer (if needed)



2.



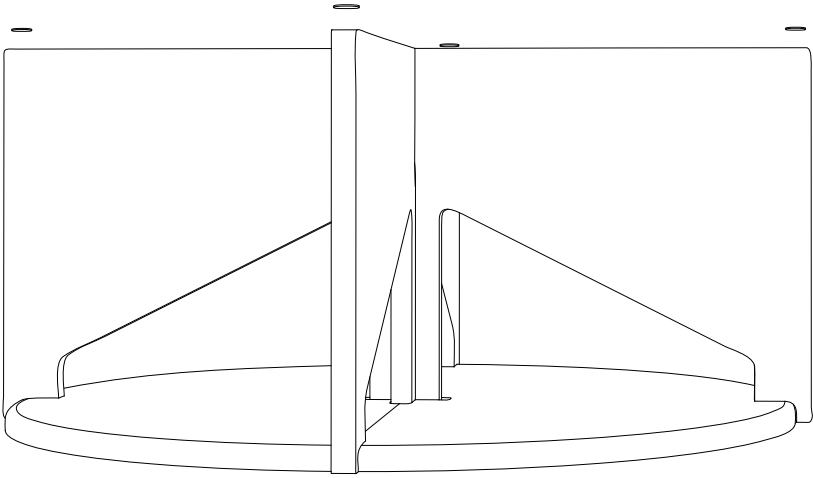
Place top plate on the floor and press legs inside. If needed rotate legs 90° clockwise until perfect fit!



Rubber hammer (if needed)



3.



4 x Felt stickers

